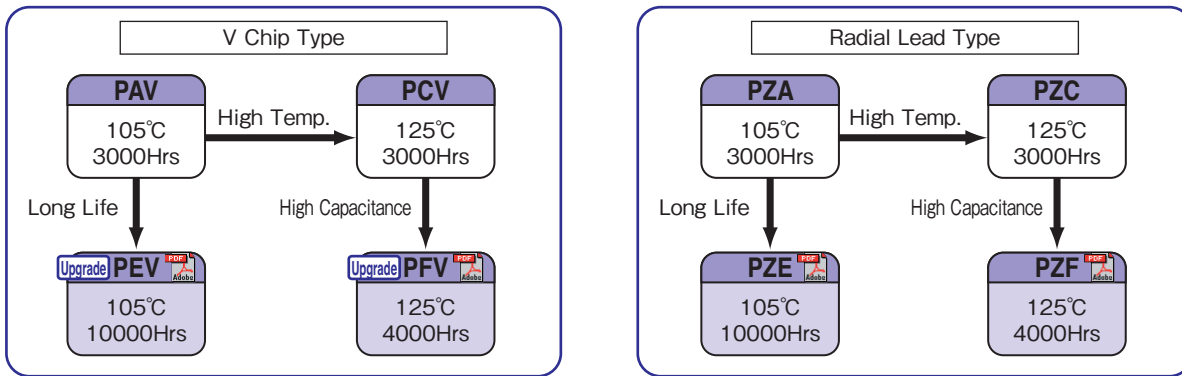


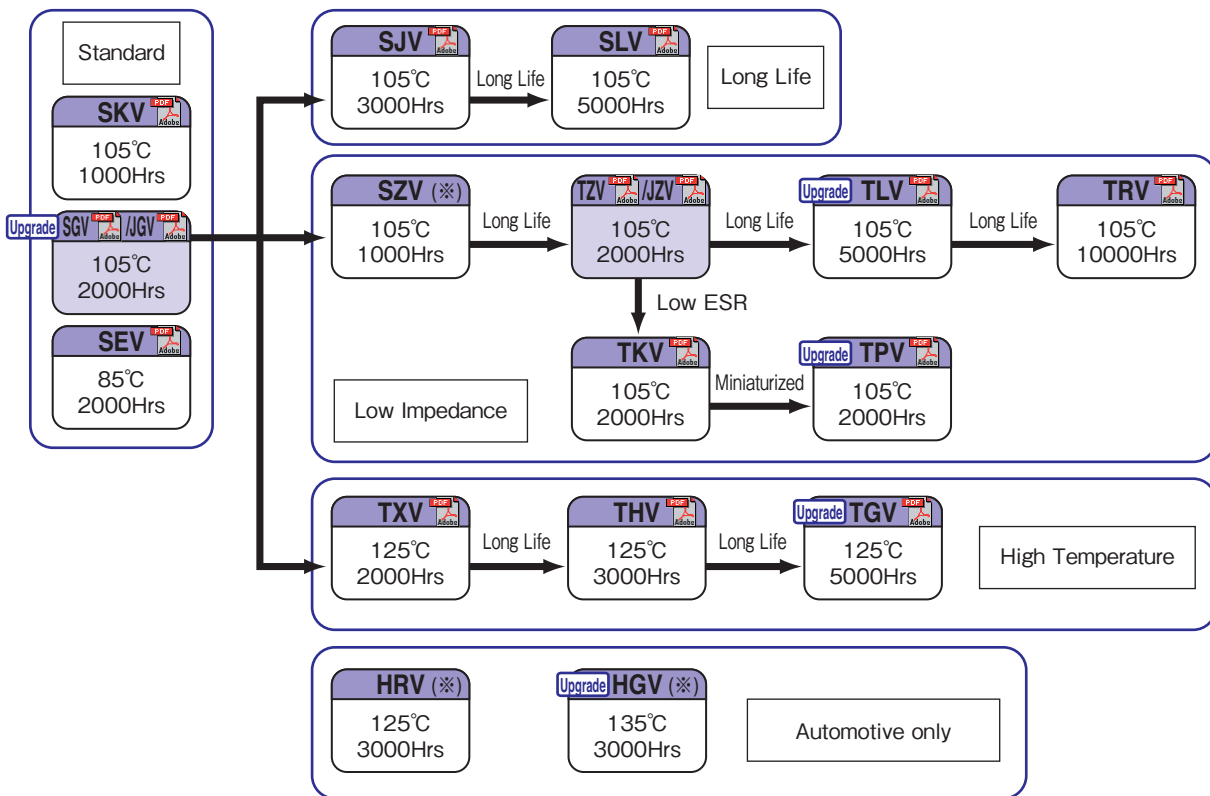
CONDUCTIVE POLYMER ALUMINUM SOLID ELECTROLYTIC CAPACITORS

◆PZ-CAP



ALUMINUM ELECTROLYTIC CAPACITORS

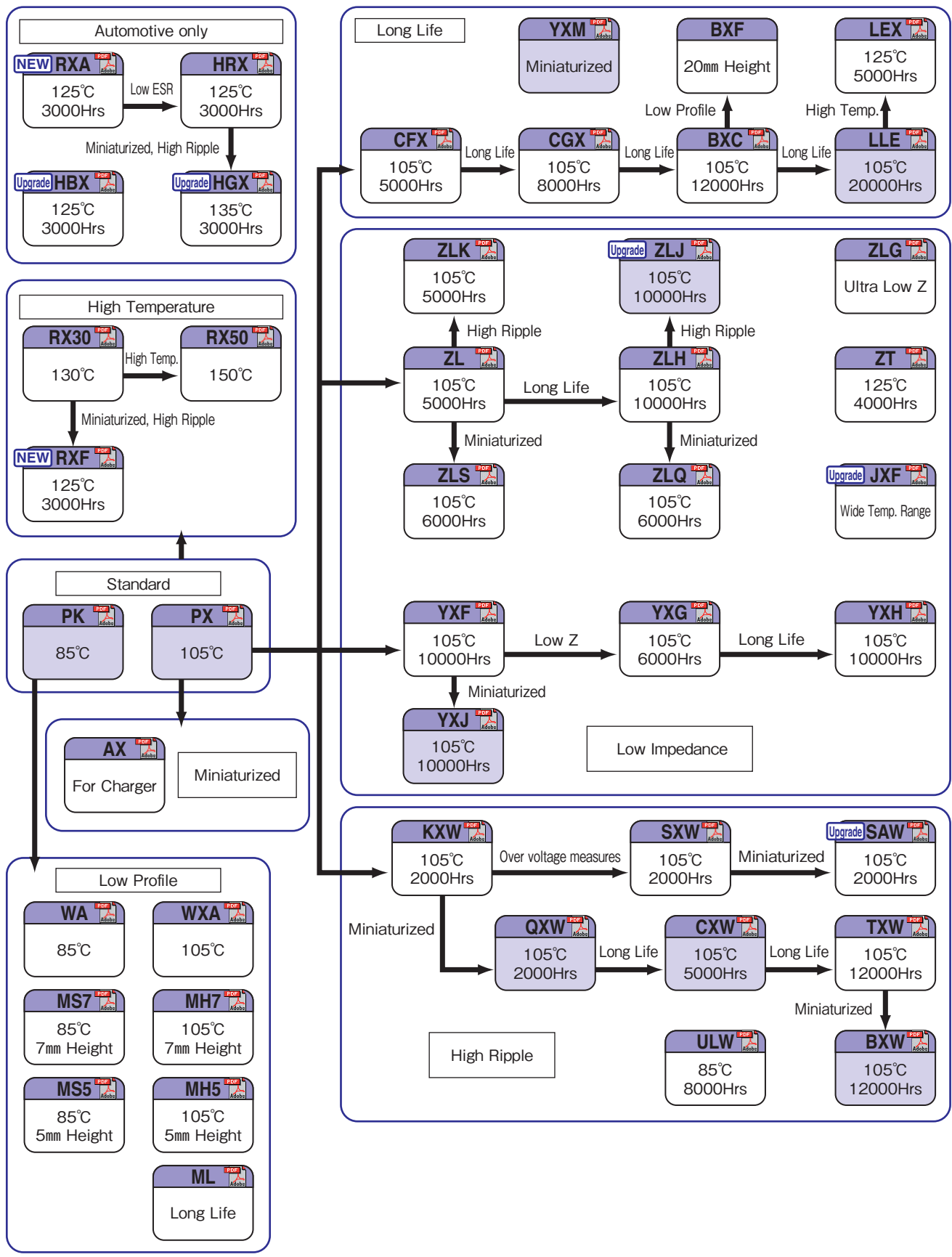
◆Chip Aluminum Electrolytic Capacitors



☐ :Recommended Series
 ※Please contact our sales offices.

ALUMINUM ELECTROLYTIC CAPACITORS

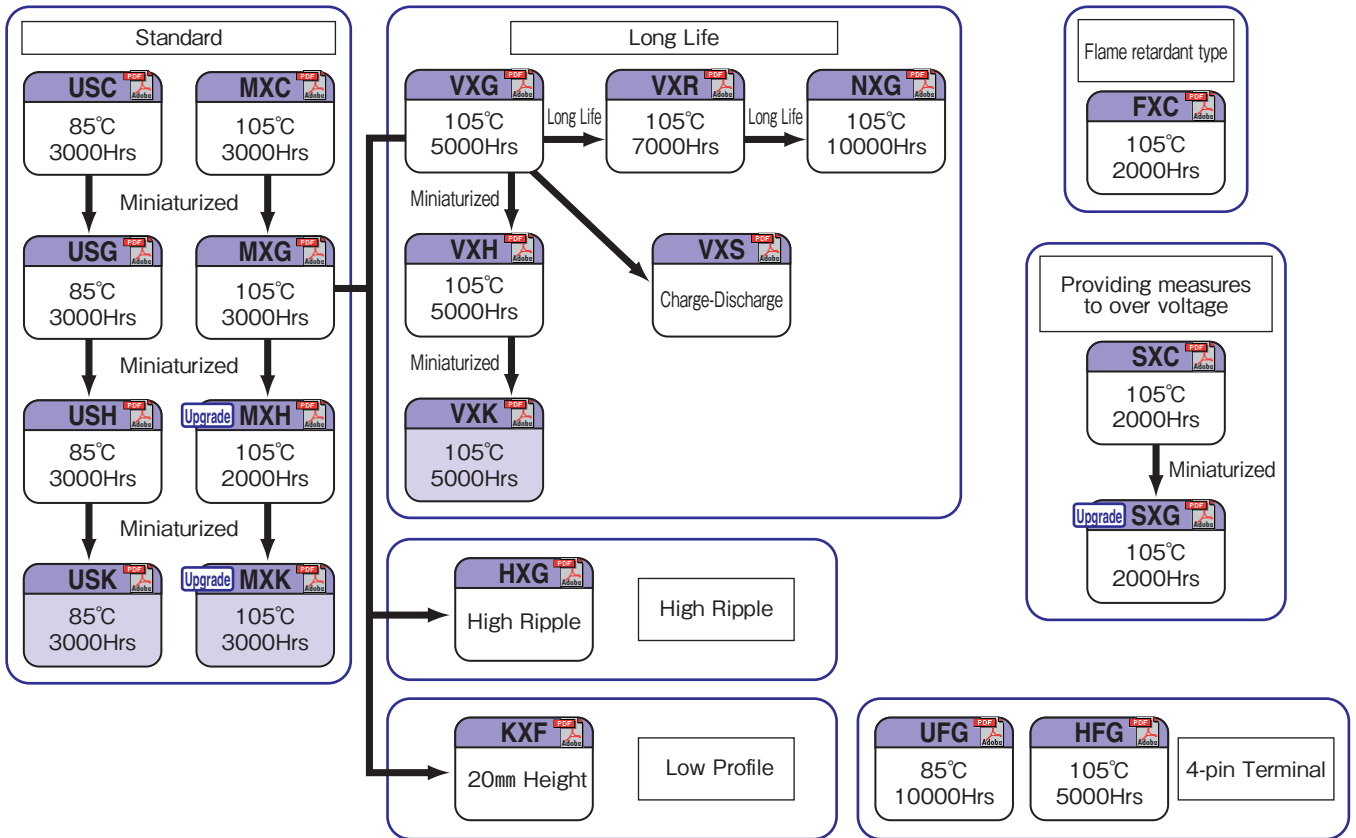
◆ Radial Lead Aluminum Electrolytic Capacitors



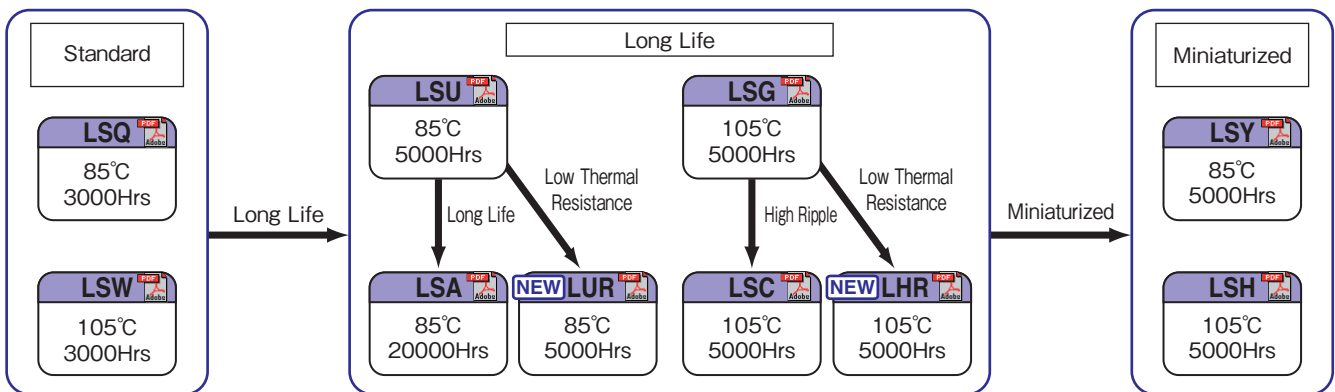
■ :Recommended Series

ALUMINUM ELECTROLYTIC CAPACITORS

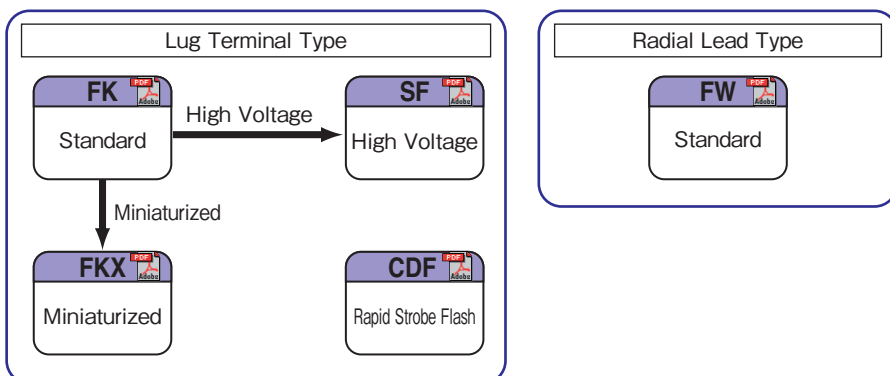
◆ Snap-in Aluminum Electrolytic Capacitors



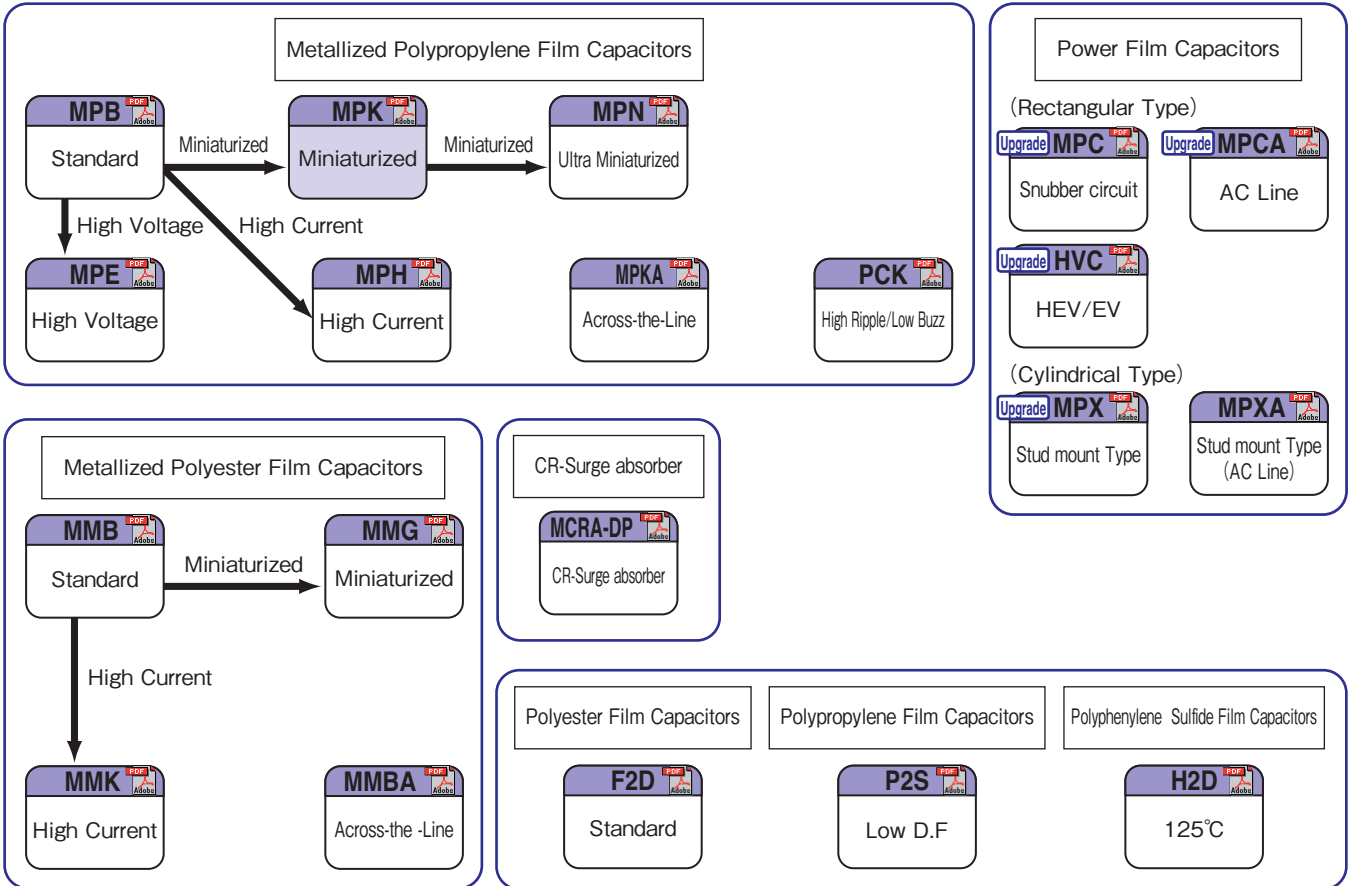
◆ Screw Terminal Aluminum Electrolytic Capacitors



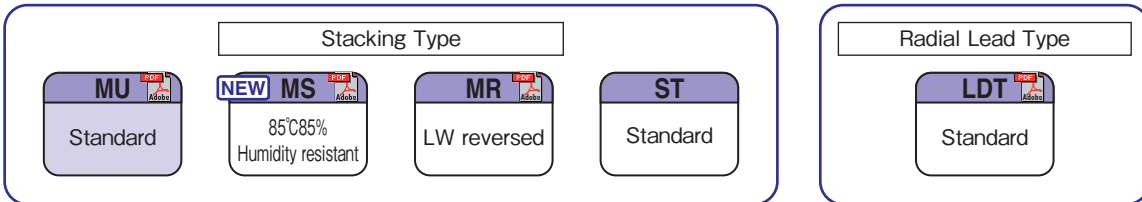
◆ Photo Flash Aluminum Electrolytic Capacitors



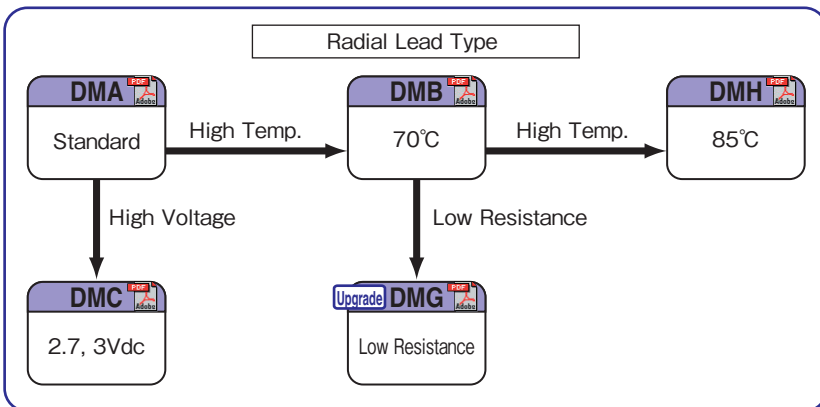
FILM CAPACITORS



POLYMER MULTI-LAYER CAPACITORS



ELECTRIC DOUBLE LAYER CAPACITORS



:Recommended Series